

## INSTRUCTIONS FOR USE

### Tranquility Pod

Congratulations! You have within your possession a groundbreaking device that will improve the performance of any component within your system. The world's first Active Isolation Pod is engineered to eliminate distortion caused by EM fields inside your components.



**READ THESE INSTRUCTIONS  
HEED ALL WARNINGS  
FOLLOW ALL INSTRUCTIONS**



#### WARNING: Avoiding Electrical Shocks

Do not operate the Synergistic Research Tranquility Pod if any kind of liquid has been deposited onto or near it. Do not store open liquid containers near or around the Synergistic Research Tranquility Pod when it is in operation. Do not expose the Synergistic Research Tranquility Pod to rain or other weather elements.

#### WARNING: Electrical Storm Precautions

During severe weather conditions such as electrical storms, perform the following procedures:

1. Turn off all of your electronic equipment, including the Tranquility Pod.
2. Disconnect all of your electronic equipment from your power outlets, including the Tranquility Pod.
3. Disconnect the Tranquility Pod's Mini Power Coupler (MPC) from your power outlet.
4. Do not reconnect your electronic equipment until the storm is well passed. If you can hear thunder, lightning and its potentially destructive effects are still nearby.

#### WARNING: No User Serviceable Parts Inside

Never attempt to open or disassemble your Synergistic Research Tranquility Pod. This unit is factory sealed and cannot be opened. There are no user-serviceable parts inside. For service inquiries, please contact Synergistic Research directly by calling (949) 476-0000 or via the contact form at [www.SynergisticResearch.com](http://www.SynergisticResearch.com).

#### WARNING: Electrical Grounding

The Synergistic Research Tranquility Pod requires a properly grounded power outlet for optimal performance and safety. If you are not certain if your electrical configuration is properly grounded, have it inspected by a qualified electrician.

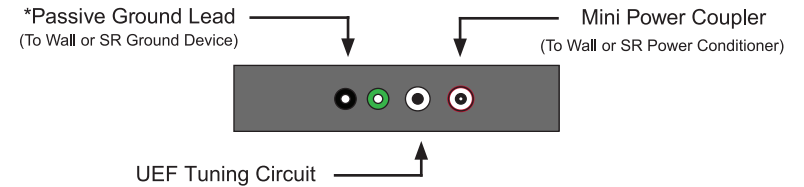


WARNING: To reduce the risk of electric shock do not attempt to open. No user-serviceable parts inside. Refer servicing to qualified service personnel.

## Tranquility Pod setup - Single unit

## Rear View

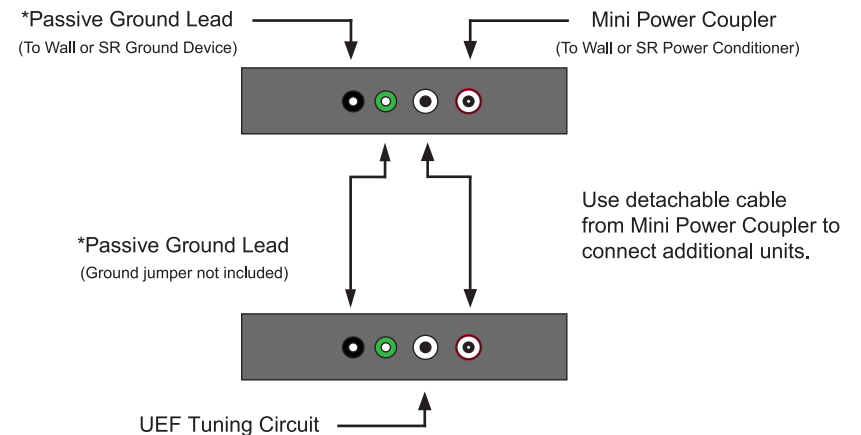
\* **Passive Ground Lead** - Only use the provided Synergistic Research ground cables. Do NOT hook up the ground plane to any AC line conditioner. Only connect directly to a wall outlet or directly to a Synergistic Research Ground Block with Synergistic Research ground cable.



## Tranquility Pod setup - 2+ units (Daisy Chain)

## Rear View

\* **Passive Ground Lead** - Only use the provided Synergistic Research ground cables. Do NOT hook up the ground plane to any AC line conditioner. Only connect directly to a wall outlet or directly to a Synergistic Research Ground Block with Synergistic Research ground cable.



(Only use the UEF Tuning Circuit on the last Tranquility Pod in the chain. UEF Tuning Circuit should light up when the chain is complete, and Mini Power Coupler is attached.)